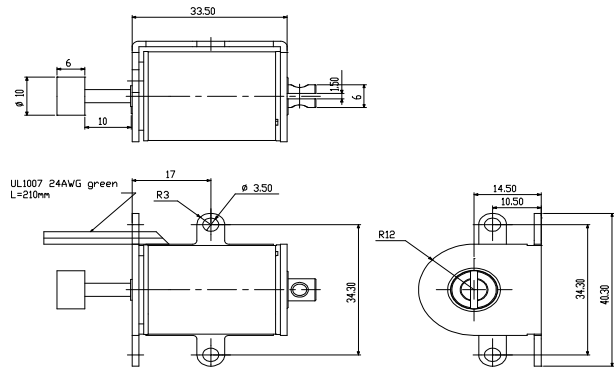




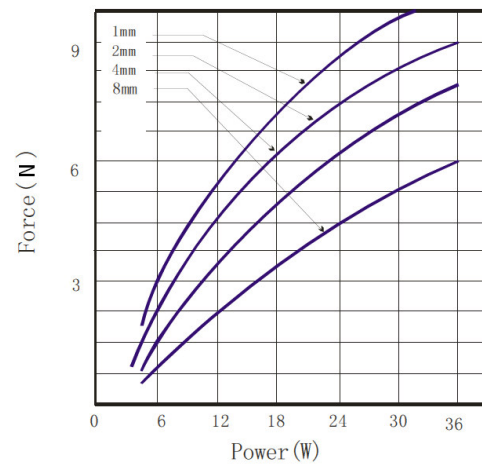
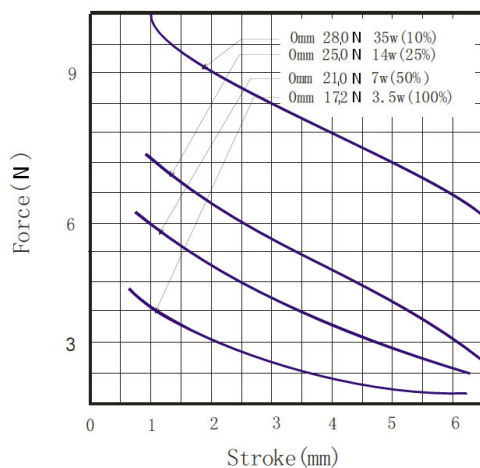
APPLICATION

DIMENSION



STROKE / FORCE

POWER / FORCE



COIL DATA

	100%	50%	25%	10%	
Duty cycle% = on time / (on time + off time)*100%	100%	50%	25%	10%	
MAX. "ON" time in seconds	∞	140	50	9	
Watts at 20°C	3.5	7	14	35	
Ampere-Turns at 20°C	618	876	1236	1957	
Type no.	(Ω) Resistance (20°C)		Volts DC		
6V	17	6	8.5	12	19
12V	68	12	17	24	38
24V	272	24	34	48	76
48V	1088	48	68	96	152