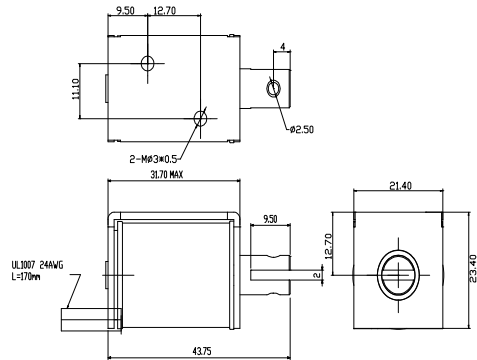
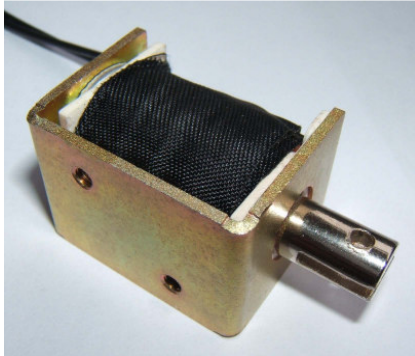
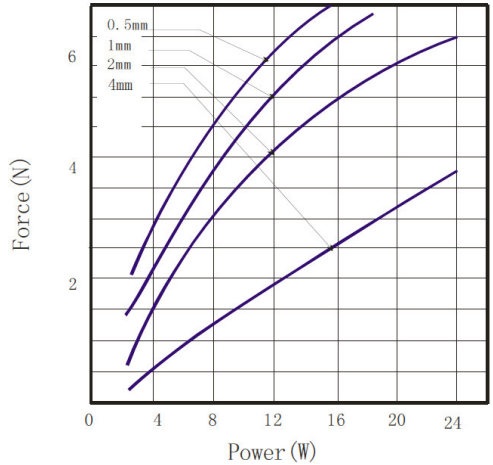
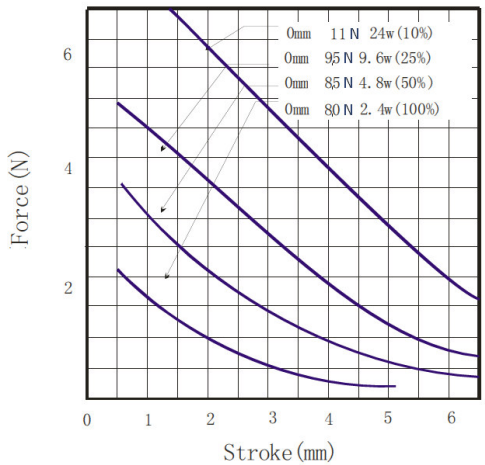




APPLICATION DIMENSION



STROKE / FORCE POWER / FORCE



COIL DATA

| | 100% | 50% | 25% | 10% | |
|---|--------------------------|-----|----------|------|----|
| Duty cycle% = on time / (on time + off time) * 100% | 100% | 50% | 25% | 10% | |
| MAX. "ON" time in seconds | ∞ | 100 | 36 | 7 | |
| Watts at 20°C | 2.4 | 4.8 | 9.6 | 24 | |
| Ampere-Turns at 20°C | 408 | 578 | 816 | 1292 | |
| Type no. | (Ω) Resistance (20°C) | | Volts DC | | |
| 6V | 17 | | 6 | 8.5 | 12 |
| 12V | 68 | | 12 | 17 | 24 |
| 24V | 272 | | 24 | 34 | 48 |
| 48V | 1088 | | 48 | 68 | 96 |