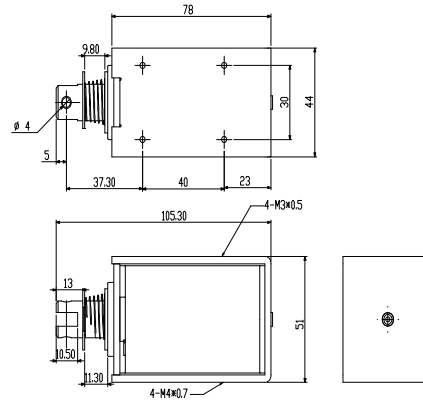




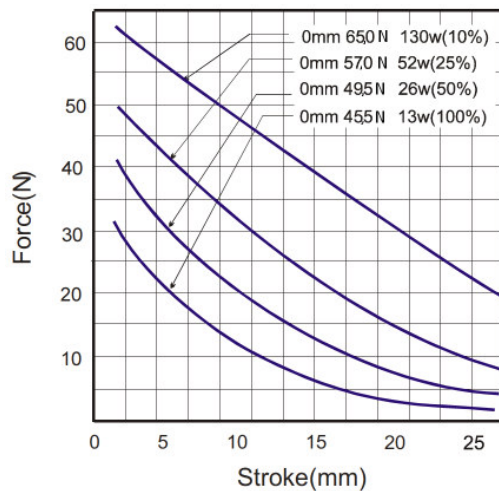
## APPLICATION

## DIMENSION

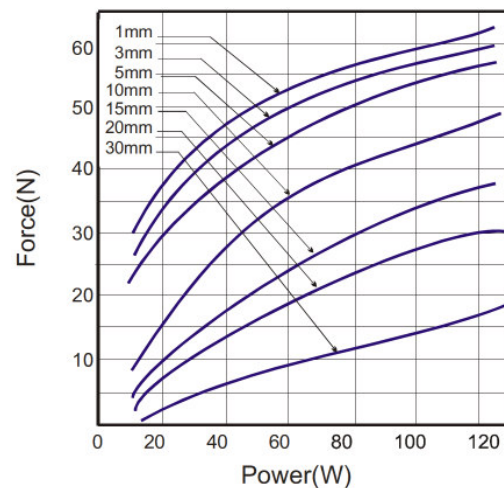


## STROKE / FORCE

## POWER / FORCE



c



## COIL DATA

	100%	50%	25%	10%	
Duty cycle% = on time / (on time + off time)*100%	100%	50%	25%	10%	
MAX. "ON" time in seconds	∞	160	80	32	
Watts at 20°C	13	26	52	130	
Ampere-Turns at 20°C	2030	2870	4060	6430	
Type no.	(Ω) Resistance (20°C)	Volts DC			
6V	2.8	6	8.5	12	19
12V	11.1	12	17	24	38
24V	44.3	24	34	48	76
48V	177	48	68	96	152