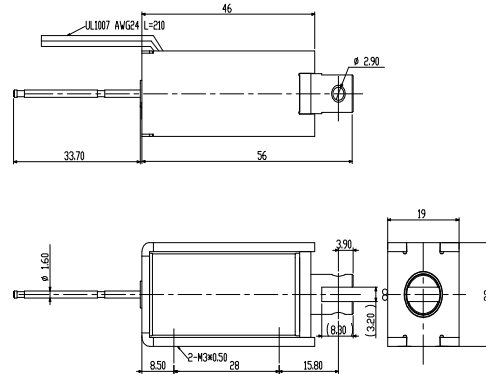
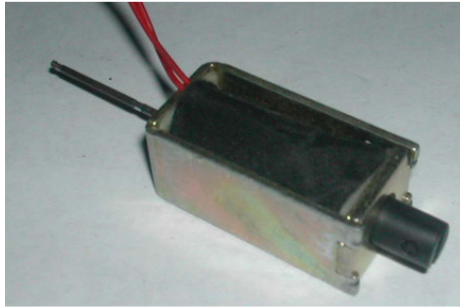




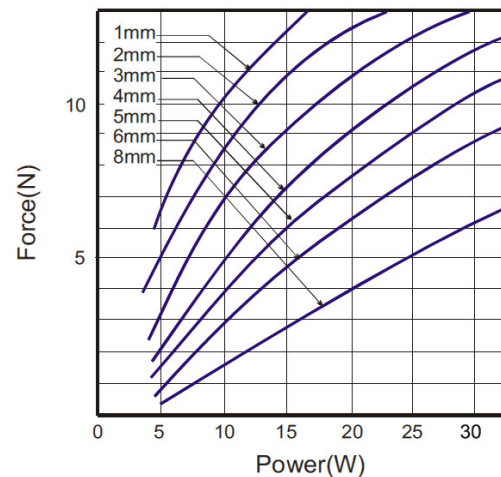
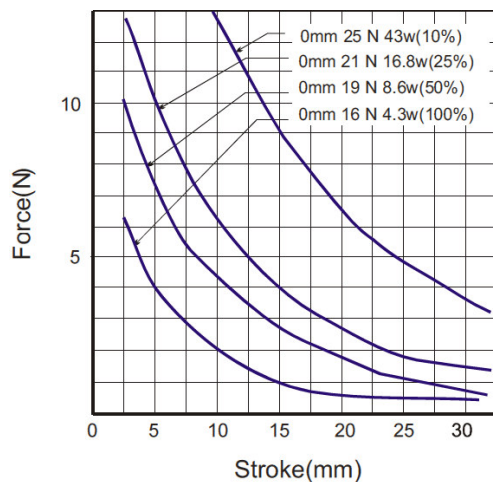
## APPLICATION

## DIMENSION



## STROKE / FORCE

## POWER / FORCE



## COIL DATA

	100%	50%	25%	10%	
Duty cycle% = on time / (on time + off time)*100%	100%	50%	25%	10%	
MAX. "ON" time in seconds	∞	100	36	7	
Watts at 20°C	4.3	8.6	16.8	43	
Ampere-Turns at 20°C	838	1187	1676	2653	
Type no.	( Ω ) Resistance (20°C)	Volts DC			
6V	8.4	6	8.5	12	19
12V	33.5	12	17	24	38
24V	134	24	34	48	76
48V	536	48	68	96	152