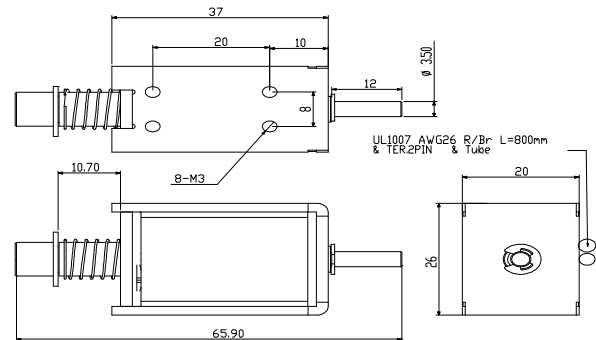
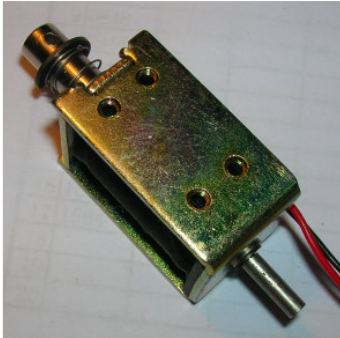




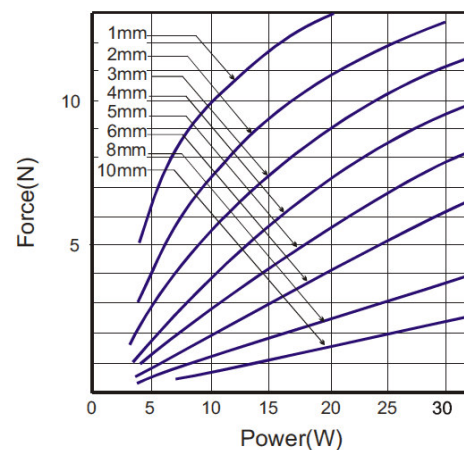
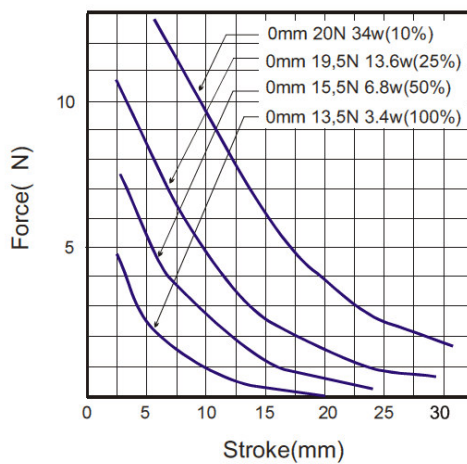
APPLICATION

DIMENSION



STROKE / FORCE

POWER / FORCE



COIL DATA

	100%	50%	25%	10%		
Duty cycle% = on time / (on time + off time) * 100%	100%	50%	25%	10%		
MAX. "ON" time in seconds	∞	100	36	7		
Watts at 20°C	3.4	6.8	13.6	34		
Ampere-Turns at 20°C	566	802	1132	1793		
Type no.	(Ω) Resistance (20°C)		(Volts DC)			
6V	10.6		6	8.5	12	19
12V	42.4		12	17	24	38
24V	169		24	34	48	76
48V	678		48	68	96	152