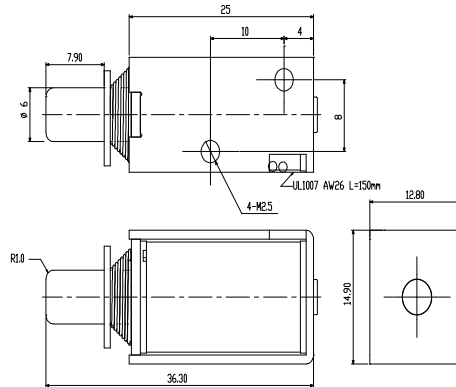




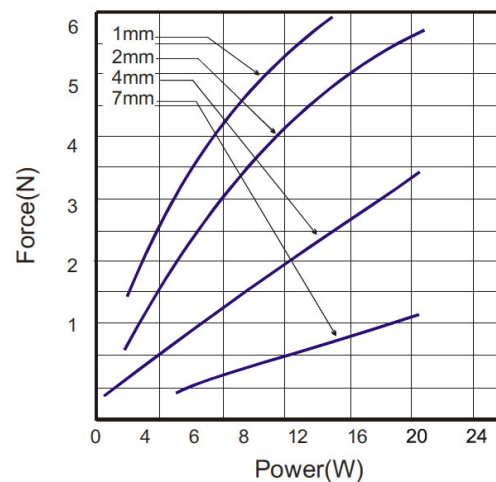
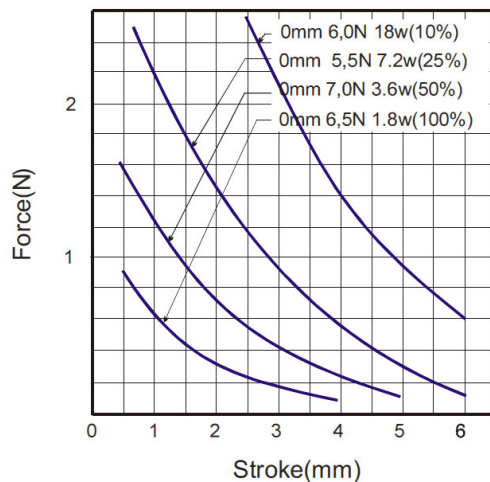
## APPLICATION

## DIMENSION



## STROKE / FORCE

## POWER / FORCE



## COIL DATA

	100%	50%	25%	10%	
Duty cycle% = on time / (on time + off time)*100%	100%	50%	25%	10%	
MAX. "ON" time in seconds	∞	55	19	3	
Watts at 20°C	1.8	3.6	7.2	18.0	
Ampere-Turns at 20°C	294	416	588	931	
Type no.	( Ω ) Resistance (20°C)		(Volts DC)		
6V	20	6	8.5	12	19
12V	80	12	17	24	38
24V	320	24	34	48	76
48V	1280	48	68	96	152