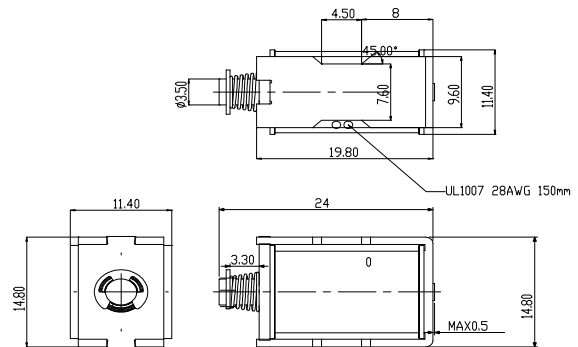
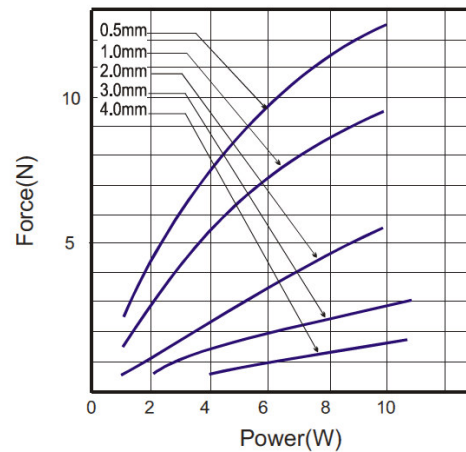
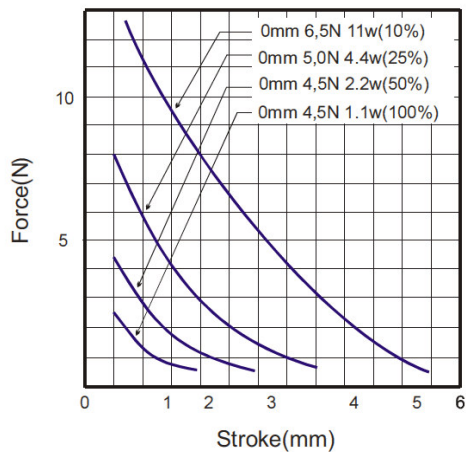




## APPLICATION DIMENSION



## STROKE / FORCE POWER / FORCE



## COIL DATA

Duty cycle% = on time / (on time + off time)*100%	100%	50%	25%	10%	
MAX. "ON" time in seconds	∞	50	18	2	
Watts at 20°C	1.1	2.2	4.4	11	
Ampere-Turns at 20°C	198	281	396	627	
Type no.	( Ω ) Resistance (20°C)	Volts DC			
6V	32.7	6	8.5	12	19
12V	131	12	17	24	38